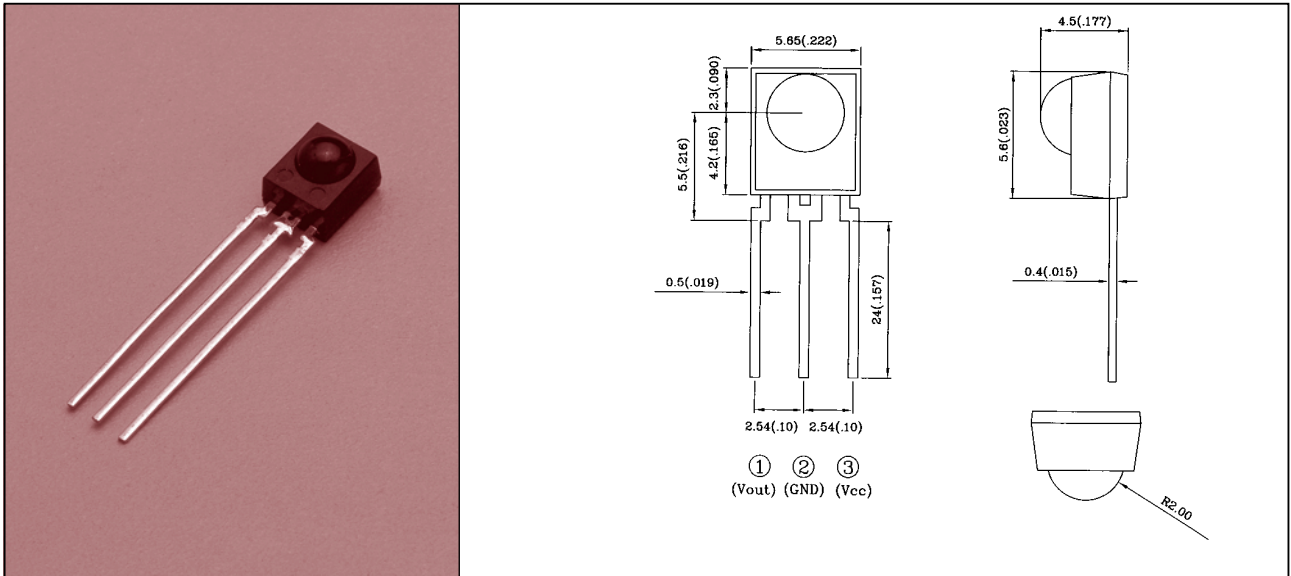


## PL - IRM0208-A538 RECEIVER MODULE



### ◆ABSOLUTE MAXIMUM RATING:(Ta=25°C)

PARAMETER	Test Conditions	Symbol	Value	Unit
Supply Voltage	-	Vcc	4.5~5.5	V
Output Voltage	-	Vout	4.5~5.5	V
Output Current	-	Io	5	mA
Junction Temperature	-	Tj	100	°C
Storage Temperature Range	-	Tstg	-25°C to 85°C	°C
Operating Temperature Range	-	Totr	-25°C to 85°C	°C
Power Consumption	-	Ptot	50	mw
Soldering Temperature	t ≤ 10s, 1mm from case	Tsd	260	°C

### ◆ELECTRO-OPTICAL CHARACTERISTICS:(Ta=25°C)

Parameter	Symbol	Min	Typ	Max	Unit	Conditions
Supply Current	Icc	0.9	1.2	1.5	mA	Iin=0 uA
Max. Input Current	Iin(max)	-	1	-	mA	Vin ≥ 0V ; VS=5V Tamb=25°C
Max. Voltage Gain	Av	50	52	53	dB	Fin=37.9 KHz Vin=30 uVp-p AGC off
Frequency Range	f	-	38.0	-	KHz	-
Output Pulse Width	tPW1	500	600	700	us	Fin=37.9 KHz burst wave Vin=500 uVp-p
	tPW2	500	600	700	us	Fin=37.9 KHz burst wave Vin=50 uVp-p
Low Level Output Voltage	Vol	-	0.20	0.25	V	-
Hight Level Output Voltage	Voh	4.5		5.5	V	-
Arrival Distance	d	-	35	-	m	L-514EIR1C IF=300 mA

1.All dimension are in millimeters(inches).

2.Tolerance is  $\pm 0.25\text{mm}(0.01\text{'})$  unless otherwise specified.